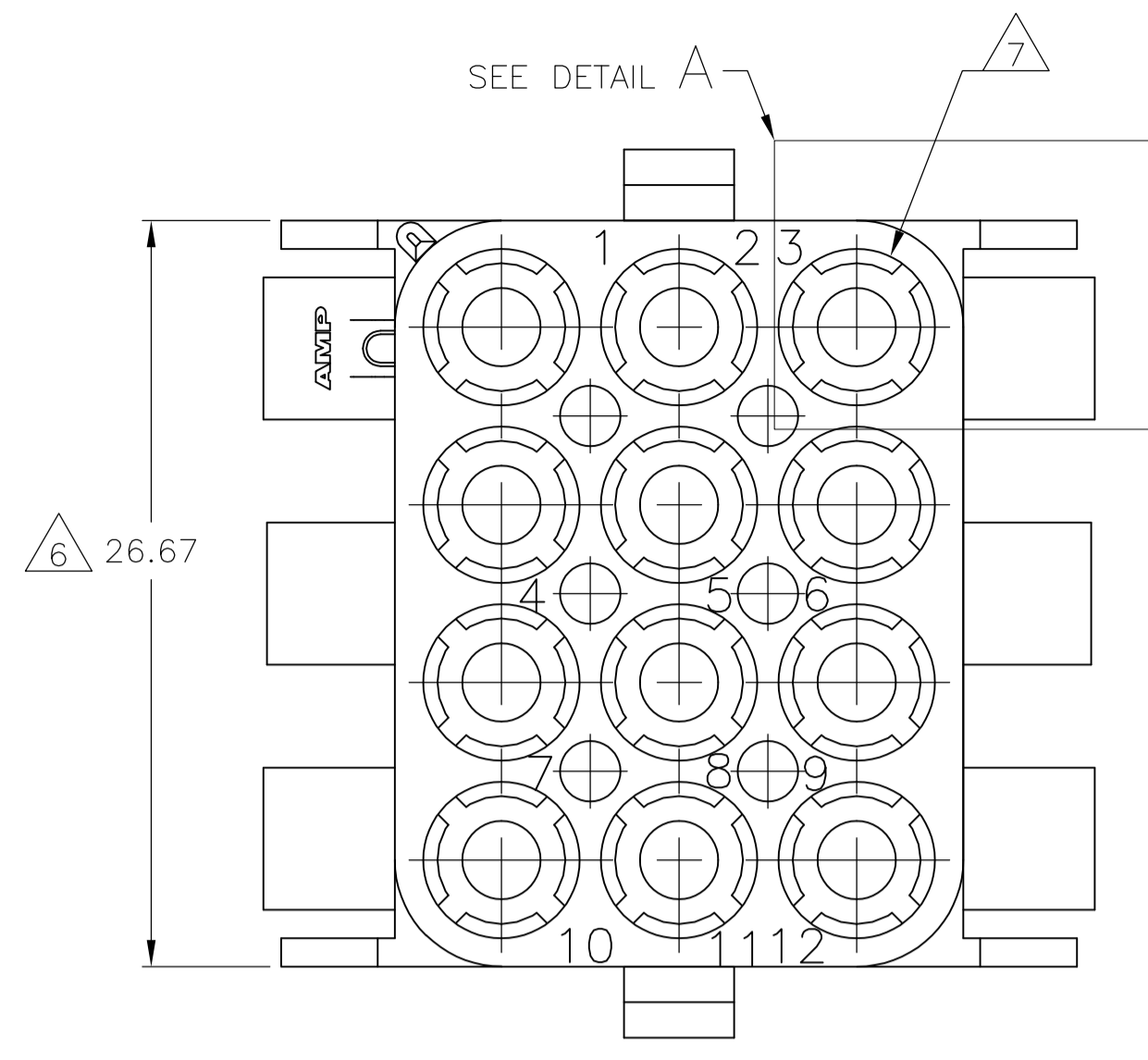
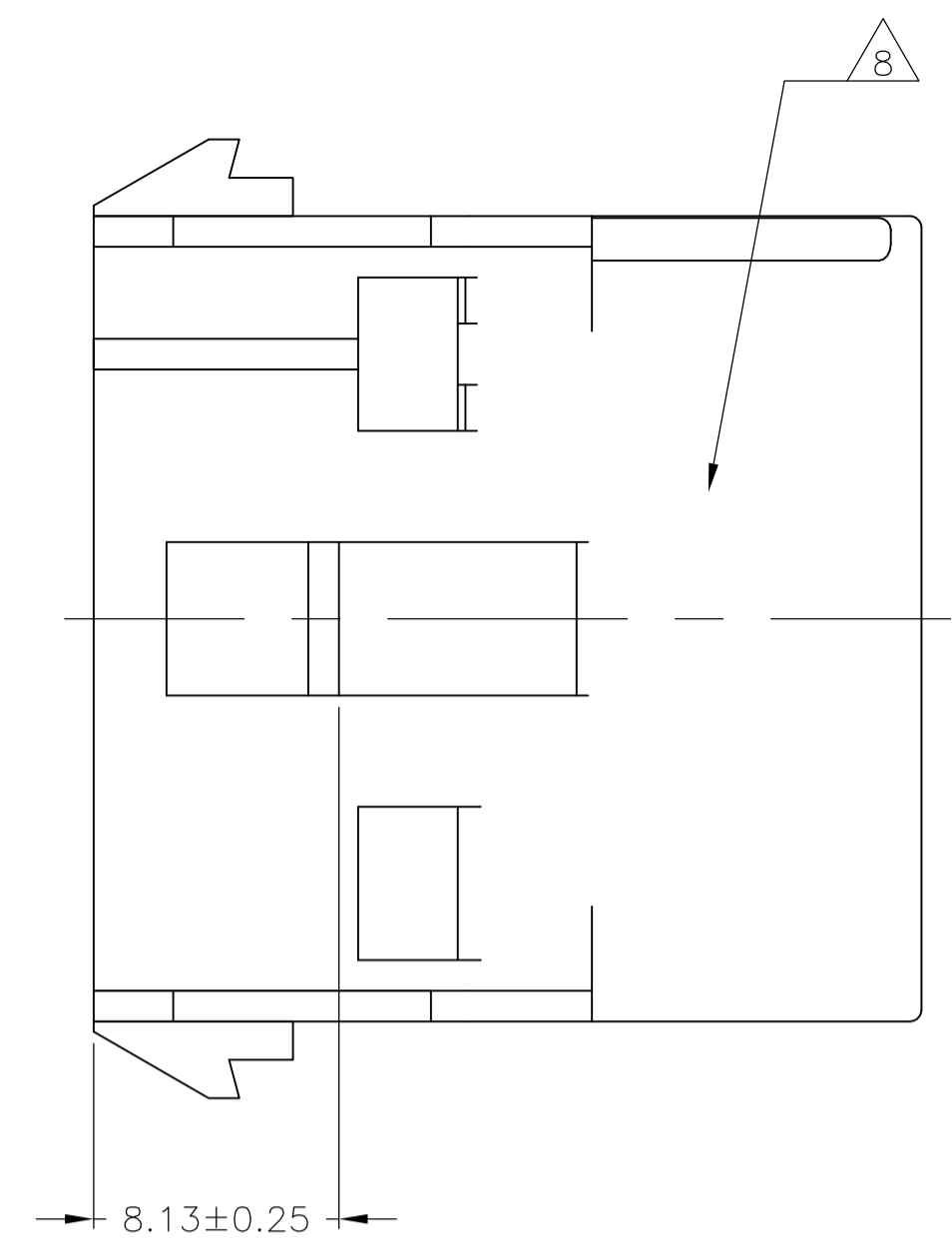
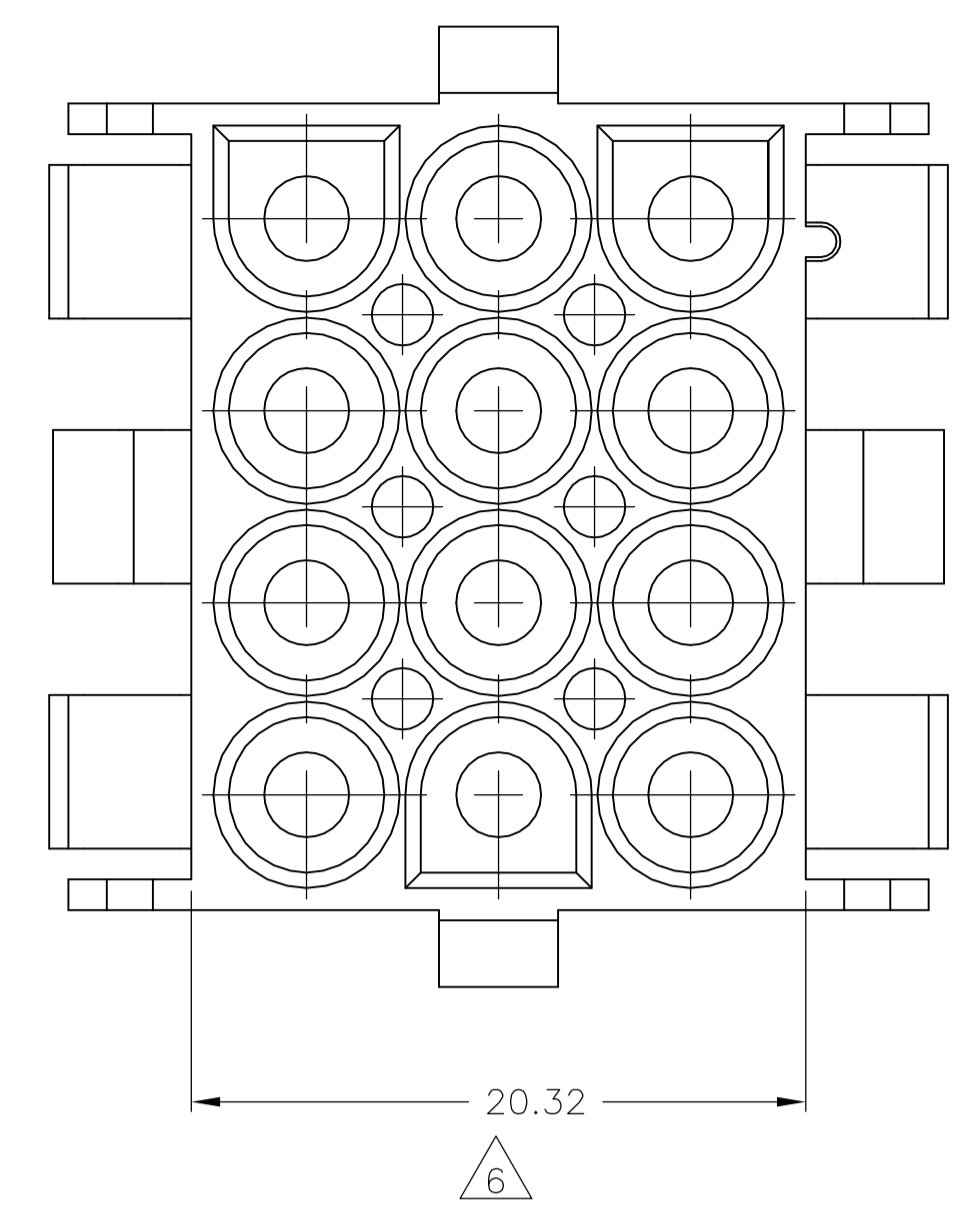
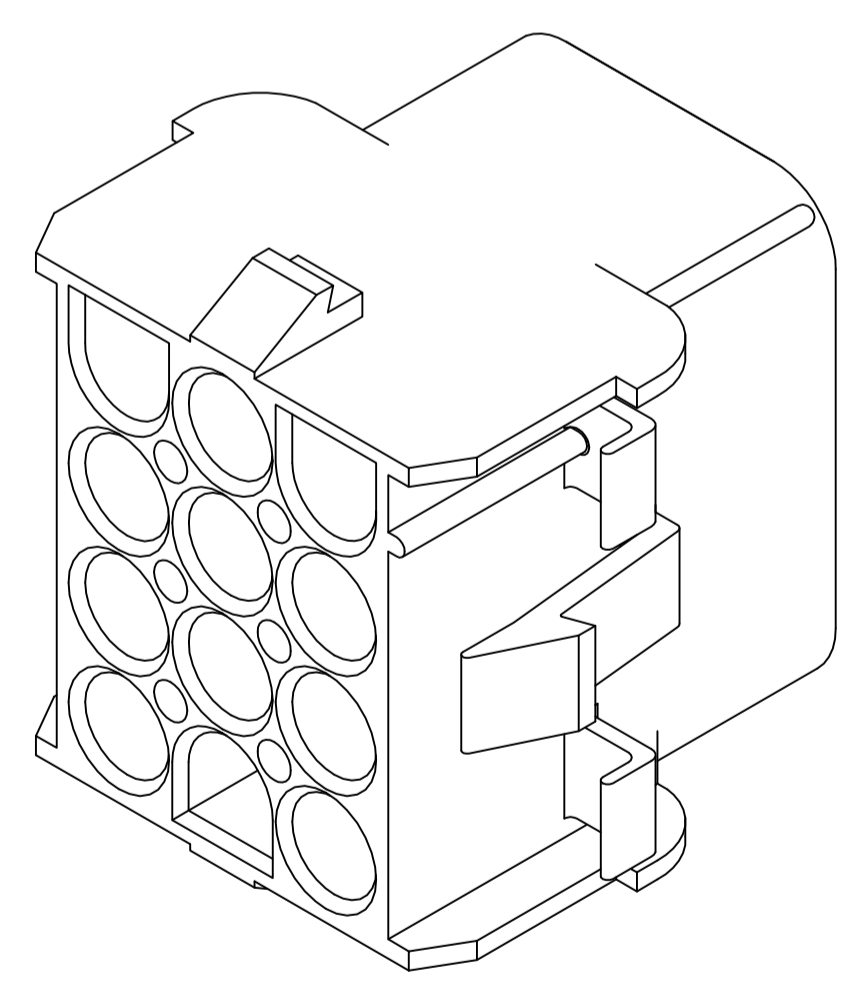
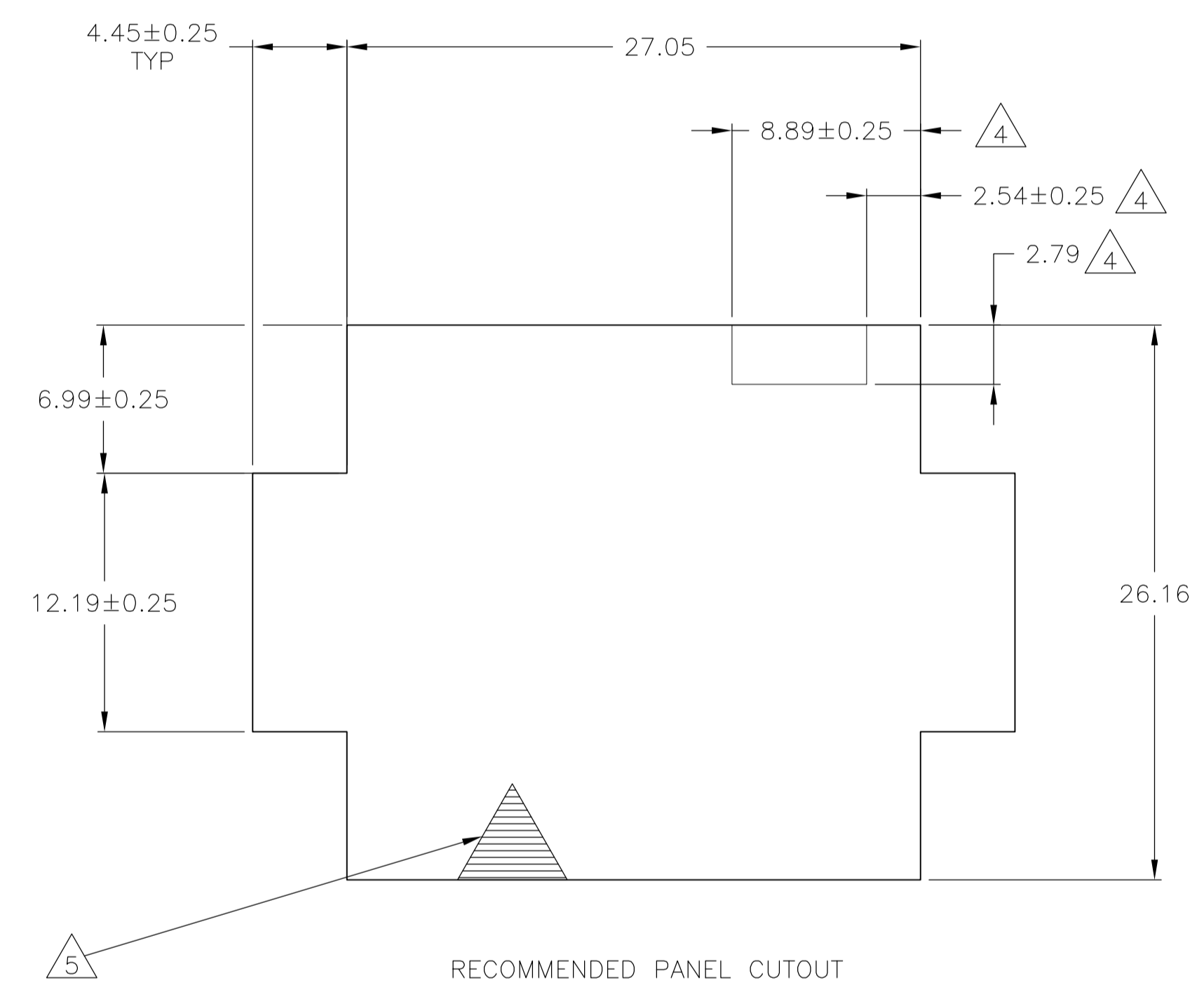
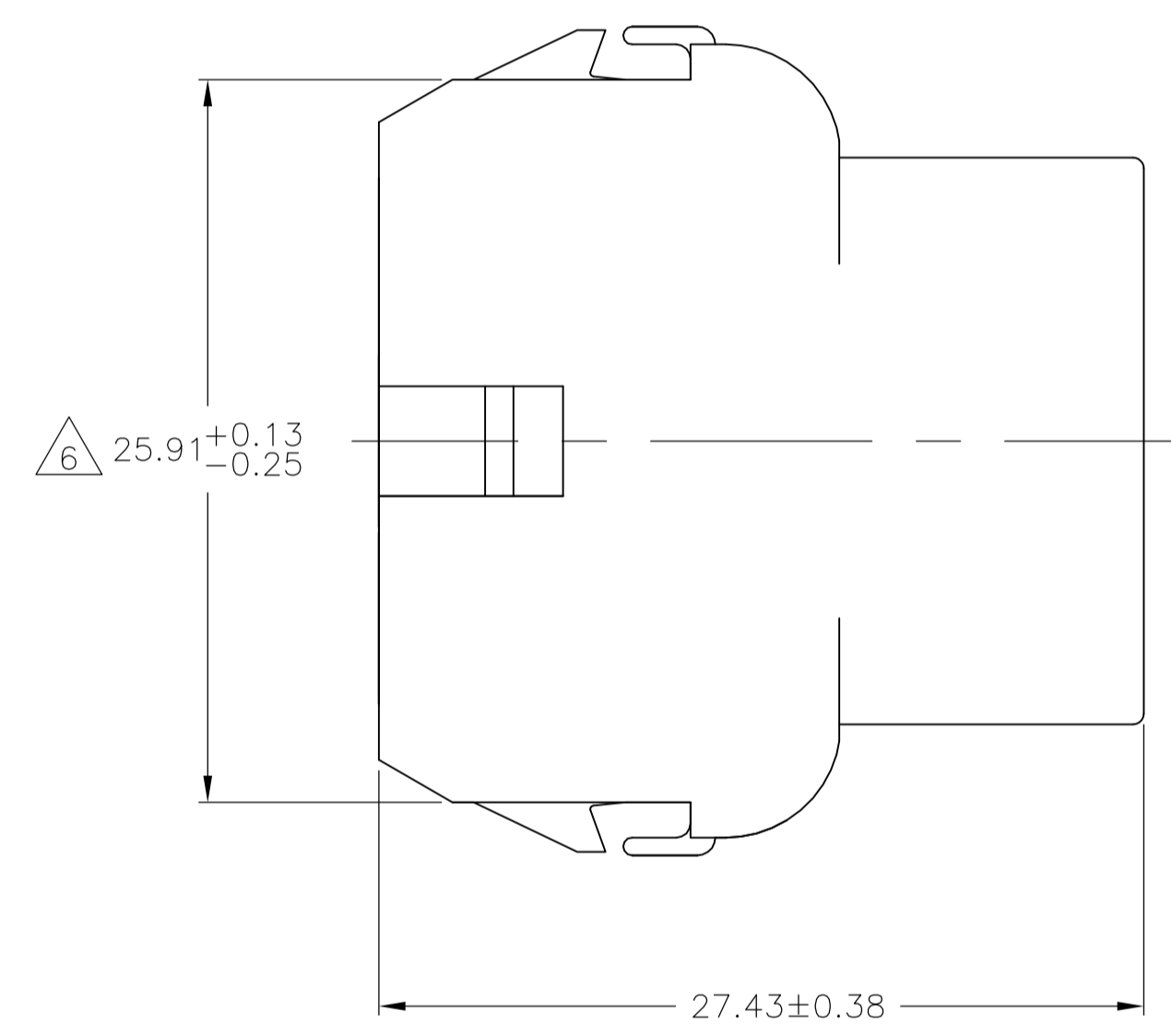
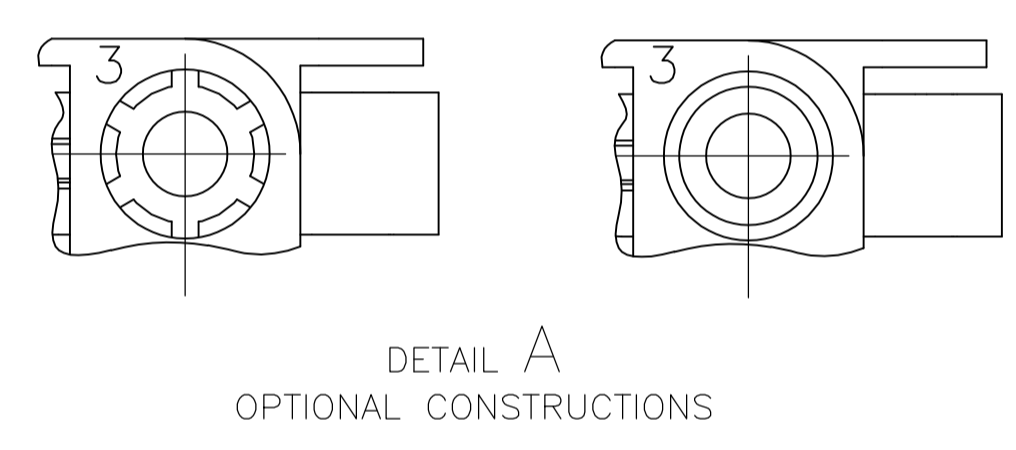


LOC	DIST	REVISIONS			
CM	00	REV	DESCRIPTION	DATE	BY
AL2		1	REVISED PER ECO-11-004587	11MAR11	RK



1. MATE WITH APPROPRIATE UNIVERSAL MATE-N-LOCK™ PLUG.
2. RECOMMENDED PANEL THICKNESS 0.75 - 2.29.
3. PANEL MUST BE PUNCHED SO THAT THE HOUSING ENTERS THE PANEL IN THE SAME DIRECTION AS THE PUNCH.
4. OPTIONAL FOR KEYING HOUSING IN PANEL.
5. CIRCUIT NUMBER 1 LOCATION.
6. DIMENSION INDICATED IS AS MOLDED. ADDITIONAL GROWTH DUE TO SUBSEQUENT MOISTURE ABSORPTION MAY OCCUR.
7. FOUR RIBS EQUALLY SPACED, NO SPECIFIC ORIENTATION. NO RIBS OR SIX RIBS EQUALLY SPACED, NO SPECIFIED ORIENTATION, OPTIONAL.
8. UNDERWRITERS RECOGNIZED COMPONENT LOGO AND CSA CERTIFICATION LOGO TO BE LOCATED ONCE EACH ON SIDE OF HOUSING.
9. OBSOLETE PARTS: OBSOLETE CIS STREAMLINING PER D.RENAUD/D.SINISI



MM	IN	MM	IN
6.99	.275	27.43	1.080
4.45	.175	27.05	1.065
2.79	.110	26.67	1.050
2.54	.100	26.16	1.030
2.29	.090	25.91	1.020
0.76	.030	20.32	.800
0.38	.015	12.19	.480
0.25	.010	8.89	.350
0.13	.005	8.13	.320

CONVERSION TABLE

9	OBSOLETE	COLOR	PART NO
9	OBSOLETE	BLACK	1-480709-9
9	OBSOLETE	GRAY	1-480709-8
9	OBSOLETE	BLUE	1-480709-6
9	OBSOLETE	GREEN	1-480709-5
9	OBSOLETE	YELLOW	1-480709-4
9	OBSOLETE	ORANGE	1-480709-3
9	OBSOLETE	RED	1-480709-2
9	OBSOLETE	BROWN	1-480709-1
9	OBSOLETE	NATURAL	1-480709-0

9 SUPERSEDED BY 1-480709-0

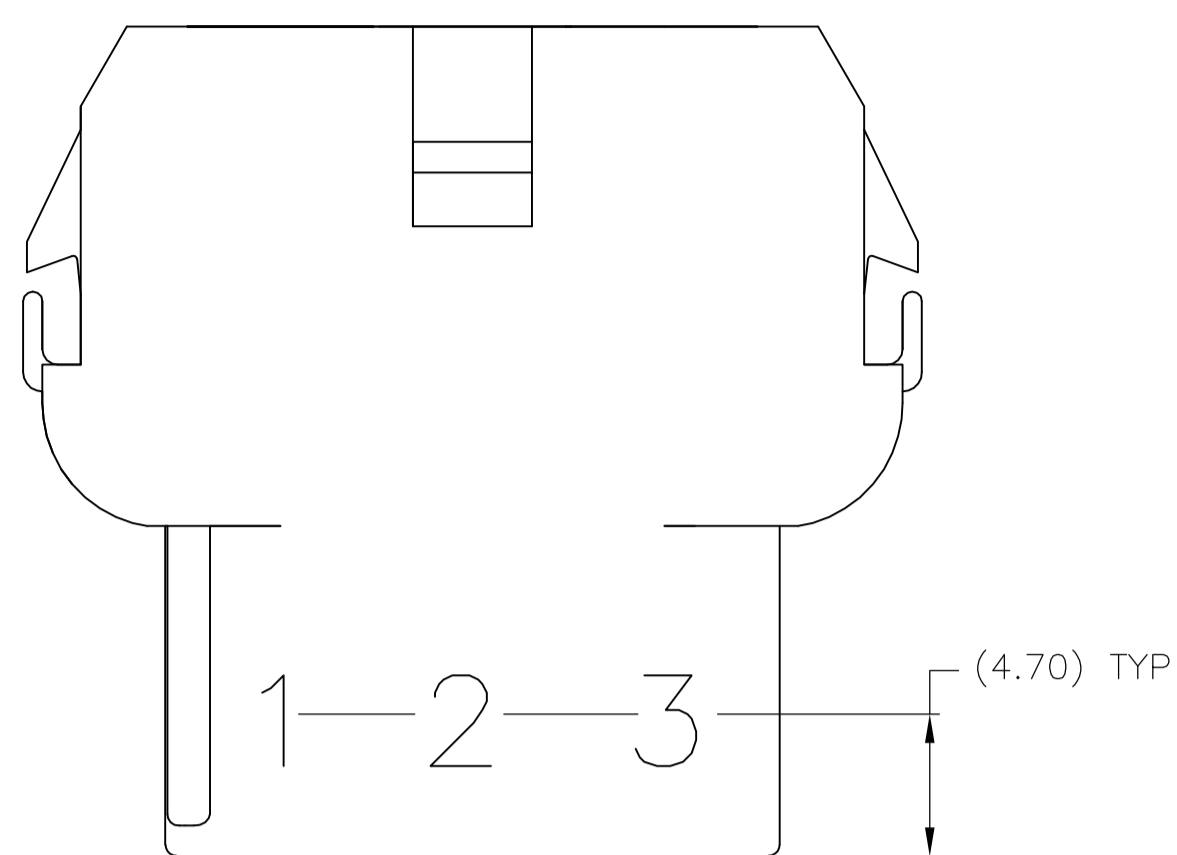
THIS DRAWING IS A CONTROLLED DOCUMENT.

DIMENSIONS: mm	TOLERANCES UNLESS OTHERWISE SPECIFIED:	DWG: K. WHITAKER 29JUL2004	CHK: S. RIDGILL 29JUL2004	APVD: S. RIDGILL 29JUL2004	NAME: CAP, 12 CIRCUIT, UNIVERSAL MATE-N-LOK™
0. PLC ± -	1. PLC ± -	PRODUCT SPEC	APPLICATION SPEC	SIZE: A1	CAGE CODE: 00779
2. PLC ± 0.13	3. PLC ± -	WEIGHT	RESTRICTED TO	SCALE: 4:1	SHEET: 1 OF 2
4. PLC ± -	ANGLES ± 0°30'	CUSTOMER DRAWING	REV: AL2		

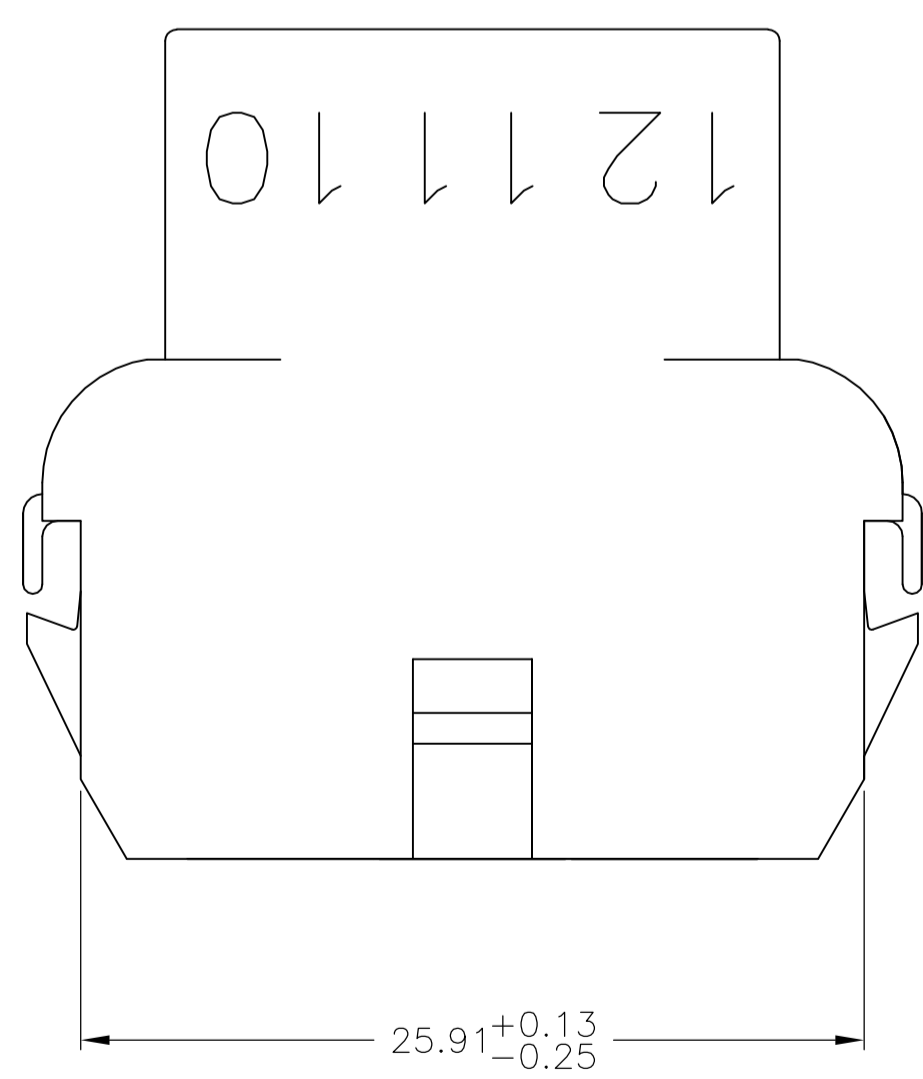
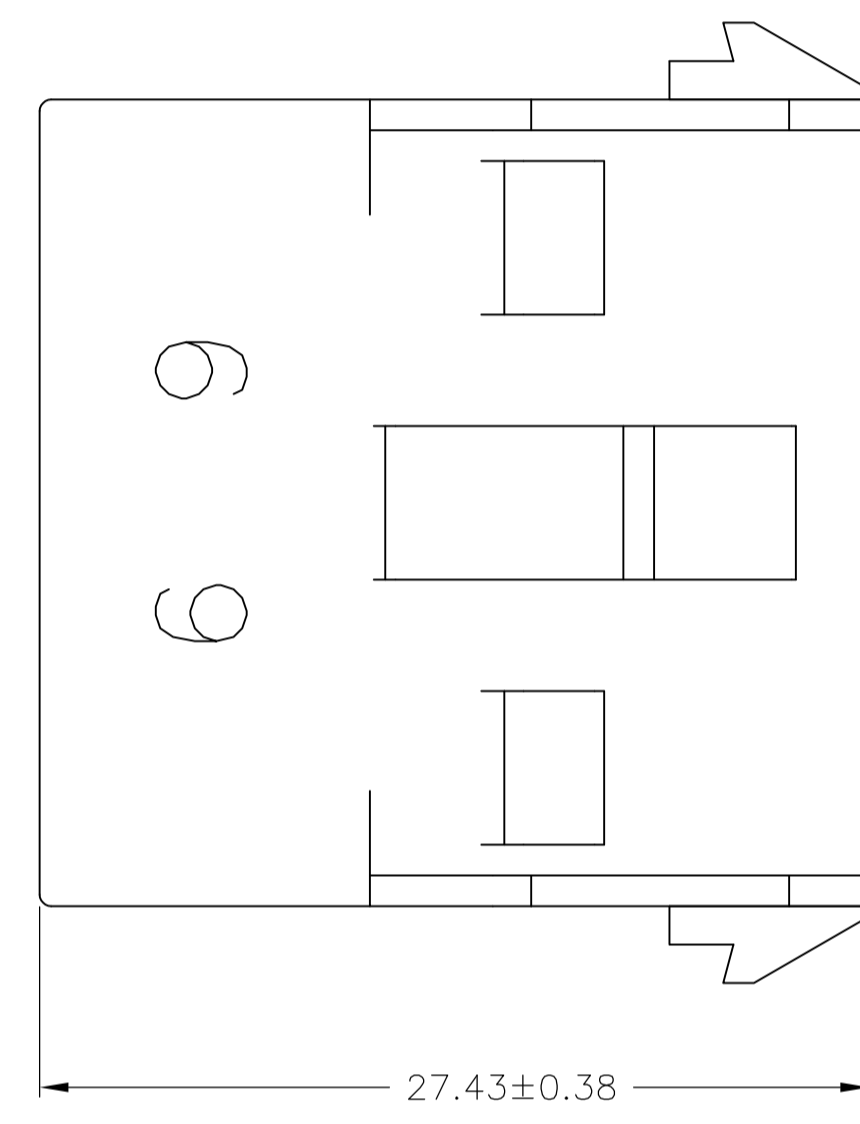
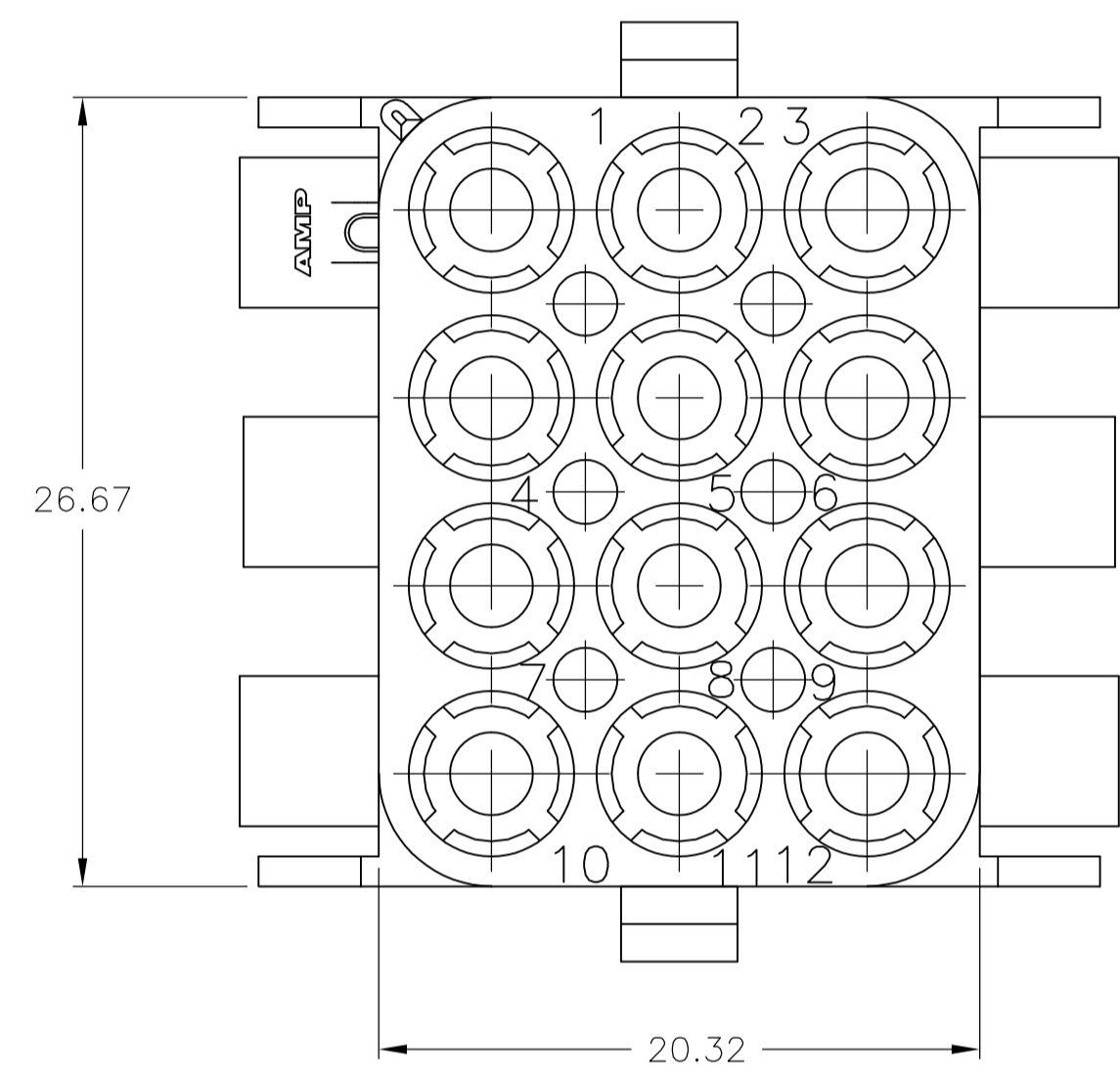
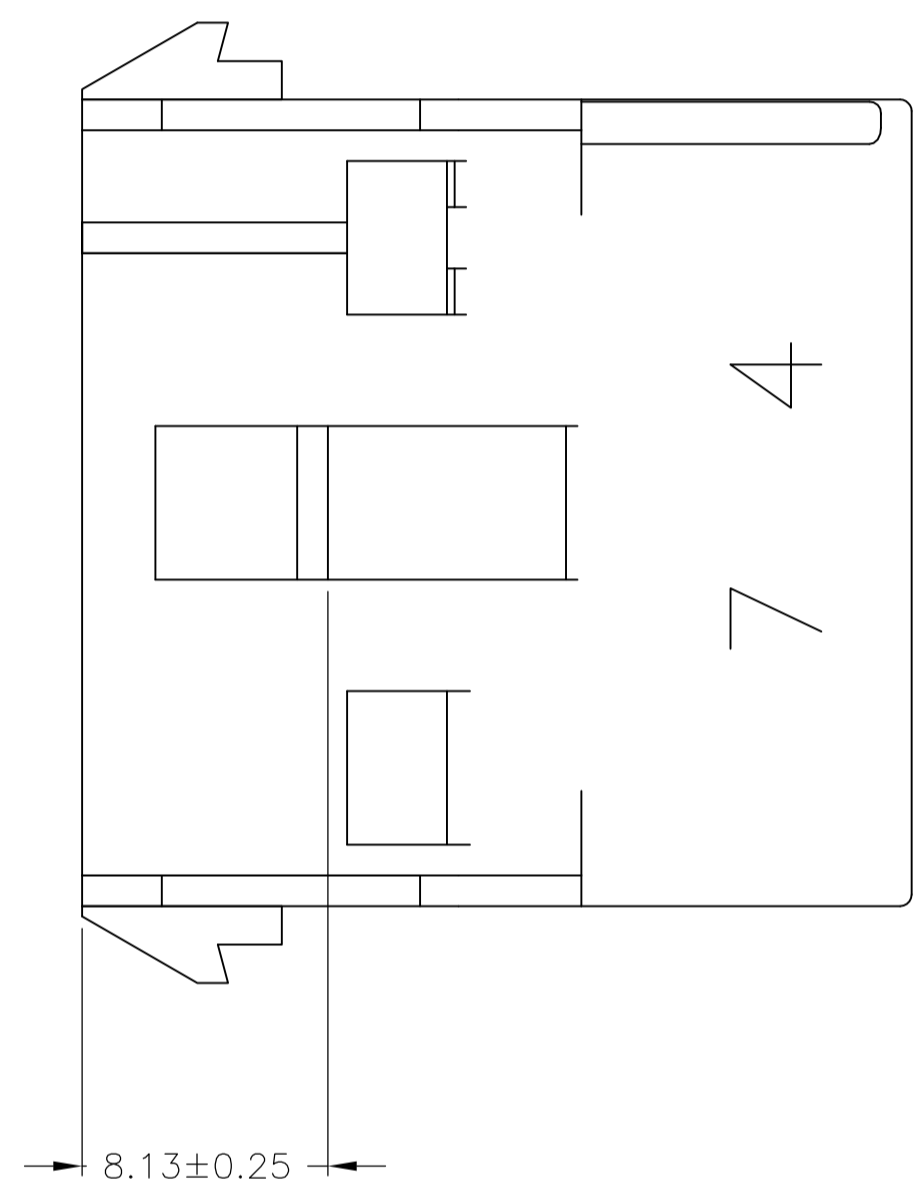
MATERIAL: NYLON, UL94V-2 FINISH: -

METRIC

LOC	DIST	REVISIONS			
P	LTR	DESCRIPTION	DATE	DNW	APVD
CM	00	SEE SHEET 1	-	-	-



1. STAMP NUMBERS 3.18 HIGH AT WIRE END OF HOUSING (12 POINT DAVID TYPE); CLARIFICATION MARKS UNDER THE 6 & 9.
2. CHARACTERS TO BE STAMPED ON HOUSING IN A MANNER AS TO BE READ FROM WIRE END ONLY.
3. VIOLET, BLACK, BROWN, AND BLUE COLORED BLOCKS TO BE STAMPED WITH WHITE CHARACTERS. ALL OTHER COLORED BLOCKS TO BE STAMPED WITH BLACK CHARACTERS.



MM	IN	MM	IN
5.08	.200	-	-
4.70	.185	27.43	1.080
3.18	.125	26.67	1.050
0.38	.015	25.91	1.020
0.25	.010	20.32	.800
0.13	.005	8.13	.320

CONVERSION TABLE

NATURAL	2-480709-0
COLOR	PART NO

THIS DRAWING IS A CONTROLLED DOCUMENT.

DIMENSIONS: mm	TOLERANCES UNLESS OTHERWISE SPECIFIED:	DIN K. WHITAKER 29JUL2004	CHK S. RIDGILL 29JUL2004	APVD S. RIDGILL 29JUL2004	NAME
0 PLC ± -	1 PLC ± -	2 PLC ± 0.13	3 PLC ± -	4 PLC ± -	ANGLES ± 0°30'
MATERIAL NYLON, UL94V-2	FINISH -	WEIGHT -	SIZE A1	CAGE CODE 00779	DRAWING NO C=480709
CUSTOMER DRAWING			SCALE 1:1	SHEET 2 OF 2	REV AL2

STE TE Connectivity
CAP, 12 CIRCUIT, UNIVERSAL MATE-N-LOK™

METRIC